

2011

50mm Mini Pci-e (SATA) SSD Datasheet

Shi Jian Lee

Renice Technology Co., Limited

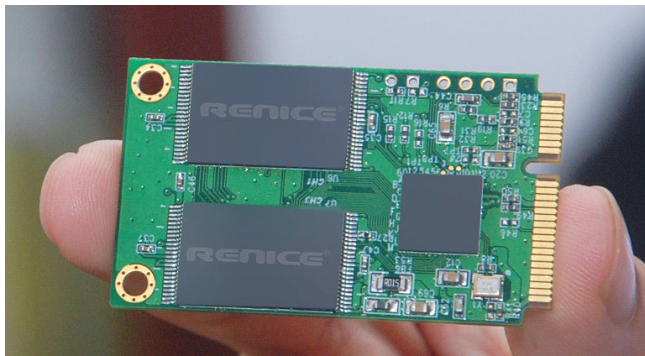
2011-10-7

CATALOGUE

1. Introduction.....	3
1.1 Product Overview.....	3
1.2 Feature.....	3
1) Performance.....	3
2) Form Size: 50.35mmX30mmX3.5mm(LxWxH).....	5
3) Weight: 6.0g.....	5
4) Density: 8GB,16GB,32GB, 64GB, 128GB.....	5
5) Input Voltage: 3.3V (±5%).....	5
6) Commercial operating temperature range from 0 to +70°C.....	5
7) Industrial operating temperature range from -40 to +85°C.....	5
2.Pin Assignment.....	6
3. Power Specification.....	7
1) Operating Voltage :3.3V(±5%).....	7
2) Power Supply Voltage.....	7
3) Power Consumption(typical).....	7
4. Reliability Specification.....	7
5. Endurance.....	7
6. Buy Information.....	8

1. Introduction

1.1 Product Overview



1.2 Feature

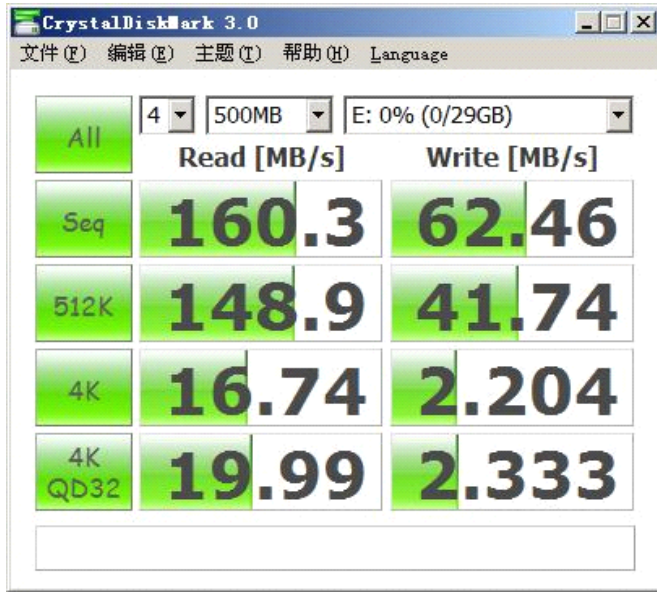
1) Performance (16GB SLC)

Sequentila Data Read:163MB/s
Sequentila Data Write:148MB/s

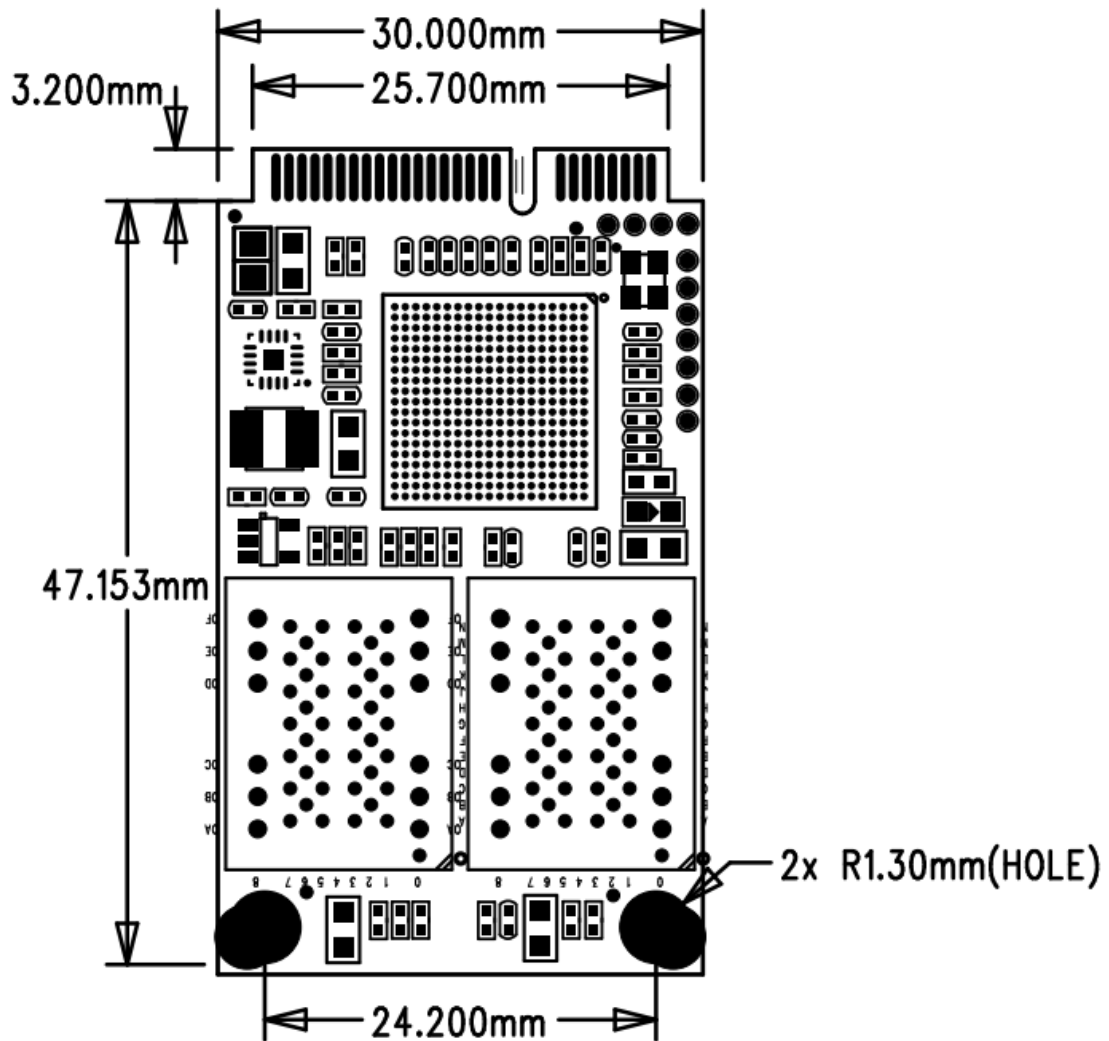


2,Performance (32GB MLC)

Sequentila Data Read:160MB/s
Sequentila Data Write:62MB/s



2) Form Size: 50.35mmX30mmX3.46mm(LxWxH)



3) Weight: 6.0g

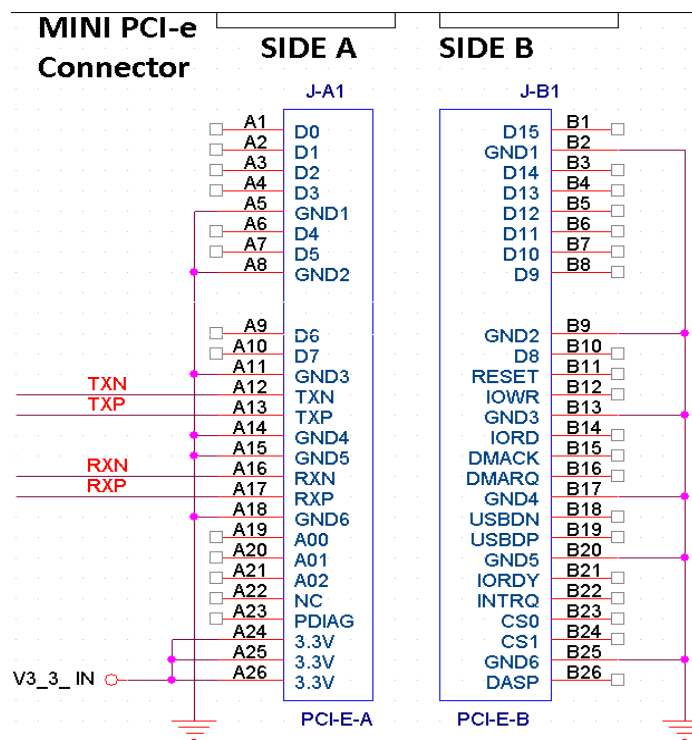
4) Density:8GB,16GB,32GB,64GB

5) Input Voltage: 3.3V (±5%)

6) Commercial operating temperature range from 0 to +70°C

7) Industrial operating temperature range from -40 to +85°C

2.Pin Assignment



A7	NC	B7	NC
A8	GND	B8	NC
A9	NC	B9	GND
A10	NC	B10	NC
A11	GND	B11	NC
A12	TXN	B12	NC
A13	TXP	B13	GND
A14	GND	B14	NC

A15	GND	B15	NC
A16	RXN	B16	NC
A17	RXP	B17	GND
A18	GND	B18	NC
A19	NC	B19	NC
A20	NC	B20	GND
A21	NC	B21	NC
A22	NC	B22	NC
A23	NC	B23	NC
A24	3.3V	B24	NC
A25	3.3V	B25	GND
A26	3.3V	B26	NC

3. Power Specification

1) Operating Voltage :3.3V(±5%)

2) Power Supply Voltage

1.0v for Core, 2.85V for NAND and Core and Serial EEPROM,

3) Power Consumption(typical)

Operation (Read/Write) - 0.9W

Idle - 0.5W

Standby - 0.5W

Sleep(Partial/Slumber) - 0.5W/0.26W

4. Reliability Specification

Item	Features	
Temperature	Operating	Standard: 0°C ~ 70°C
		Industrial:-40°C ~ 85°C
Humidity	5-95%	
Vibration	20G(7-2000Hz)	
Shock	2,000G(@0.3ms half sine wave)	

MTBF	>2,000,000 hours
------	------------------

5. Endurance

Write endurance: > 8 years @100GB write/ day(32GB)

Read endurance: unlimited

6. Buy Information

X3 50mm Mini Pci-e	MLC Part Numbers	SLC Part Numbers
8GB	RCM008-PX15	RCS008-PX15
16GB	RCM016-PX15	RCS016-PX15
32GB	RCM032-PX15	RCS032-PX15
64GB	RCM064-PX15	
128GB	RCM128-PX15	